



VOYAGE SELECT

Contemporary Pivot Doors



Elegance, Re-Imagined.



Winner of Window+Door Magazine's 2022
Award for **Most Innovative Entry Door**

FOR THOSE LOOKING TO MAKE A GOOD IMPRESSION, START WITH AN AWE-INSPIRING ENTRYWAY.

Traditional hinged doors are hung on a frame which limits their size and weight, but pivot doors operate by turning around a spindle (acting as the “pivot” point). This gives the door a sleek, contemporary look while taking the weight off of the door frame. The spindle also allows for larger, heavier panels measuring up to 9’ wide and 18’ tall! Pivots can be a truly breath-taking addition to any project.

Our pivot doors are not only beautiful, but easy to use as well. Thanks to our state-of-the-art engineering, each door can be operated almost effortlessly, even when panels exceed 300lbs. Each unit is fabricated with a concealed self-closing mechanism for ease of use, and a multi-point locking system to secure your door against forced entry.

Each system is handcrafted at our warehouse in Las Vegas, NV with quality hardware, steel pin spindles, and our unique 6063-T6 aluminum extrusions. Our 10 year warranty and dedicated customer service means you can put your mind at ease knowing that Panda will be there for you even after your door has been installed.



WE HAVE A BEAUTIFUL ARRAY OF STANDARD DESIGNS AND COLORS, BUT **ANY DOOR CAN BE CUSTOMIZED.**

The interior of the door can be matched to the exterior or your choice of solid color.

These images reflect the base colors of each design, but the colors of every door can be freely customized.

Color matching is possible, but not guaranteed.



MANILA

Copper with Clear Anodized Details



PARIS

Timber Teak with Matte Black Details



SYDNEY

Matte Grey with Zebra wood Details



RIO

Matte Black



SEQUOIA

Matte Black with Timber Teak and Aluminum Details



AUCKLAND

Royal Blue with Glass Lite and Matte Grey Details

Luxury Doors, Customized.



BONDY

Matte Black with Timber Teak and Aluminum Details



LONDON

Royal Blue with Aluminum Details



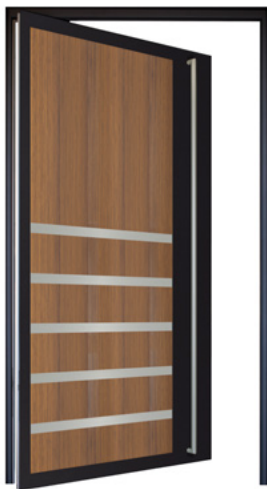
PETRA

Slate Grey with Copper and Aluminum Details



IBIZA

Slate Grey and Timber Teak Details and Glass Lites



MELBOURNE

Matte Black with Timber Teak and Aluminum Details



FIJI

Matte Grey with Zebra wood Details



TOKYO

Matte Black



SAN CARLOS

Oriental Cane with Aluminum Details

PANDA IS DEDICATED TO CUSTOMIZING OUR PRODUCTS TO FIT YOUR NEEDS.

We have a variety of tracks, panel profiles, glass options, and hardware to fit every project. We are excited to take this a step further by offering a variety of customizable exterior finishes that will blend seamlessly into any design. Choose anything from faux wood to prismatic colors! These metal composite sheets are made in the US from largely post-consumer recycled materials.

Choose from one of our beautiful designs or work with our team to create your very own.

With over one hundred finishes available, the only limit is your imagination!

HANDLE OPTIONS

ONE (MINIMAL)



Available in Black, Chrome, Brass, and White

SEATTLE (MINIMAL)



Available in Black and Chrome

WONDER (MINIMAL)



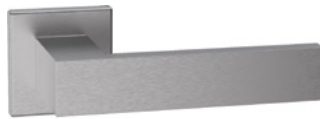
Available in Black, Chrome, and Champagne

PHOENIX (SLIM)



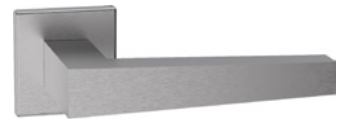
Available in Black and Chrome

SEATTLE (SLIM)



Available in Black and Chrome

SEOUL (SLIM)



Available in Black and Chrome



LADDER PULLS

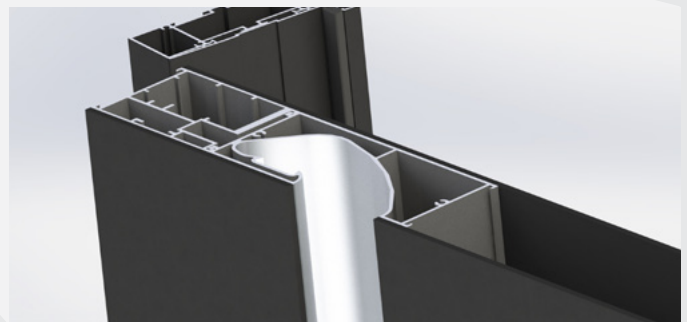
Ladder pulls are standard on door exteriors but can also be added to the interior upon request. Ladder pulls are available as round or square profiles with chrome or black finishes.

Ladder pull handles begin from 4ft. up to 7ft.



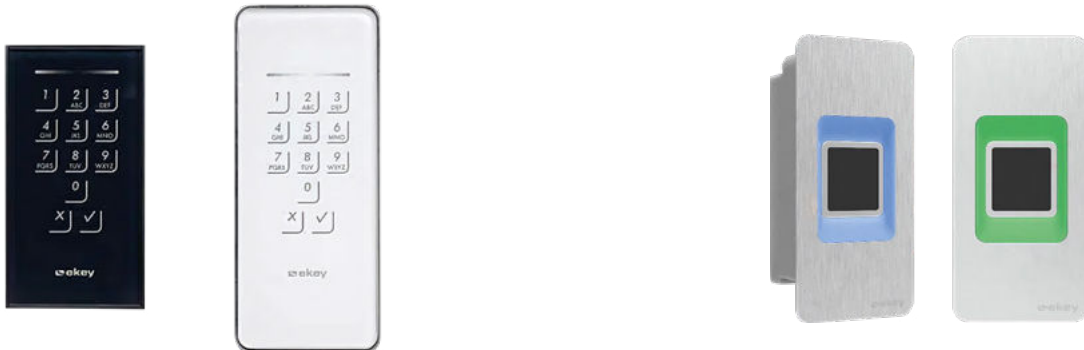
LED/RECESSED HANDLE (up-charge)

LED lights can be combined with recessed door handles to provide a smooth, seamless design with an extra “wow” factor. This feature can be placed either horizontally or vertically.



HARDWARE OPTIONS

NONSTANDARD LOCKS



KEYPAD INTEGRA (up-charge)

- Supports up to 99 user codes (4-8 digits).
- Secure & easy access control with encrypted communication.
- Available in anthracite, stainless-steel gray, or white.
- Seamless integration with fingerprint scanners (one milling, one cable).

FINGERPRINT SCANNER (up-charge)

- Secure access with fingerprint recognition- a much more secure system than keys or cards.
- Manage access remotely via smartphone app (grant/restrict access).
- Receive notifications on entry/exit.
- Can be integrated with Amazon Alexa for any modern smarthome.

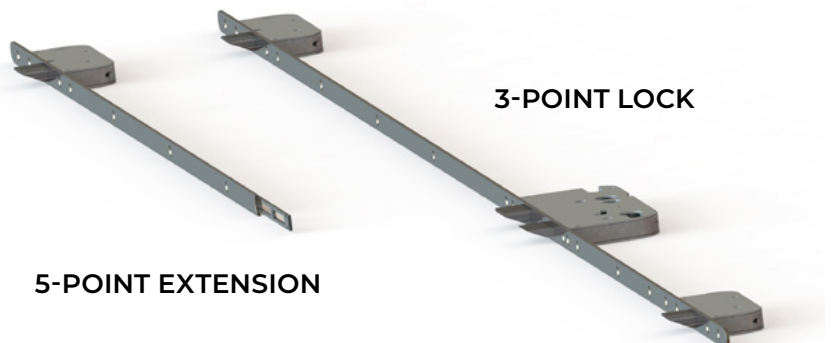


LOCKING MECHANISMS

• ROLLER LATCH LOCK

• MULTI-POINT LOCK

- The most robust lock available.
- Elegant brushed chrome finish.
- Added protection against forced entry.
- Typically a 3-point lock, but up to 2 extra points can be added for extra-large doors.
- Can be motorized with automated “unlock” and “lock” features.



3-POINT LOCK

5-POINT EXTENSION

ADDITIONAL FEATURES



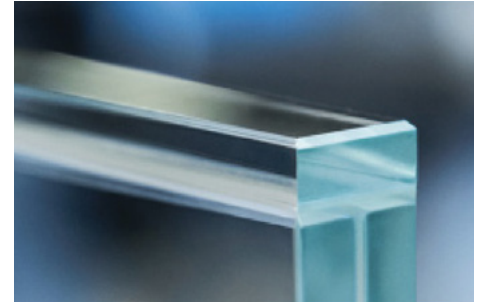
DROP SEAL FEATURE (standard)

- Offers improved sealing capabilities without causing drag on the door.
- Self actuating when in the closed position.
- Adjustable.
- Can improve a door's weatherability.
- Can fit any size door.



PIVOT CLOSER (up-charge)

- Options include either a floor closer or header closer.
- Made of high-performance, corrosion resistant material.
- Floor plate can be applied to any surface.
- Self-closing with adjustable closing speeds and multiple hold positions.
- ADA compliant.
- Available in stainless steel or black.



GLASS OPTIONS

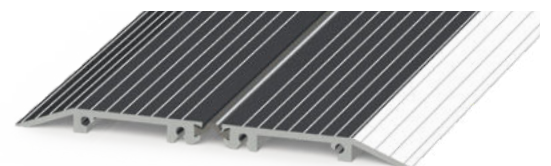
- 1" overall profile with tempered, non-tinted glass.
- 2 Energy efficient options: Cardinal 270 or Cardinal 366 (up-charge).
- Argon option (up-charge).



DOOR THRESHOLD

We offer an ADA Compliant surface threshold option.

- Thermally broken.
- Available in clear and dark bronze anodized finishes.
- Anti-slip aluminum extrusion design.

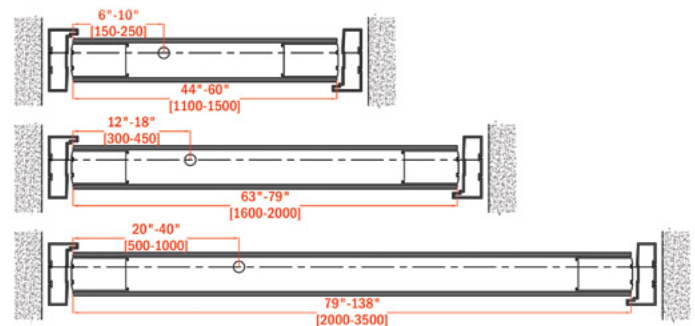
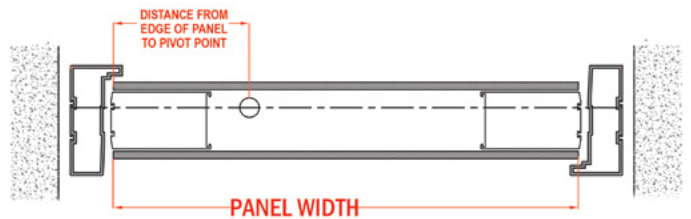




PIVOT SIZING

Panda Windows and Doors is known for creating the largest doors in the industry. Our Voyage Select Contemporary Pivot Doors are no exception. Thanks to our innovative frames and hardware, we can create pivots up to 9 ft wide and 18 ft tall with a maximum weight of 750 lbs!

When deciding on the size of your new pivot door, it is critical to work with an engineer that specializes in pivot doors like those on our team at Panda. Remember, the larger the door, the closer the pivot point must be to its center to maintain a balanced and smooth operation. When building pivot doors, engineering experience is key to making your new system operate with ease.





COLOR OPTIONS

From metallic to matte, glossy to prismatic, our range of finishes will allow you to create the perfect door for your project. Custom color options and color matching are also available.

Due to technical reasons, colors will appear different compared to a sample of the same color in real life. Actual product may vary from samples within specified ranges.



THE ART OF LUXURY



3415 Bellington Road
N. Las Vegas, NV 89030
(888) 246-1651

www.panda-windows.com

Last Updated May 2024